

TCM

RELIABLE.
POWERFUL.
ENVIRONMENT-FRIENDLY.



6 - 10t | **DIESEL POWERED**
13000-22000lbs. | **PNEUMATIC TIRE TRUCKS**

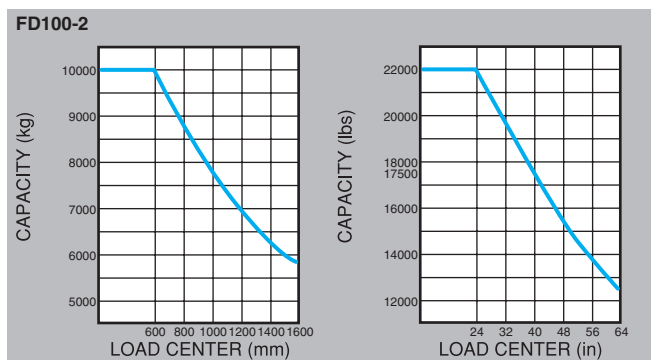
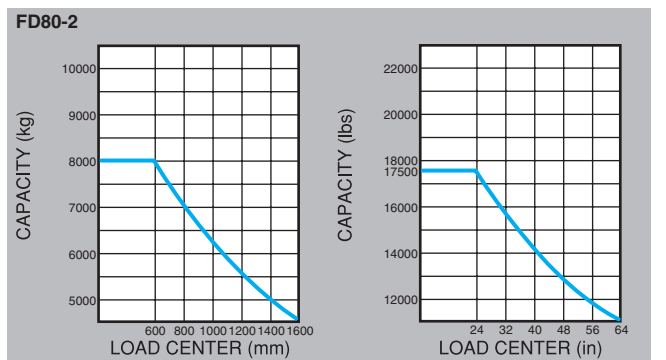
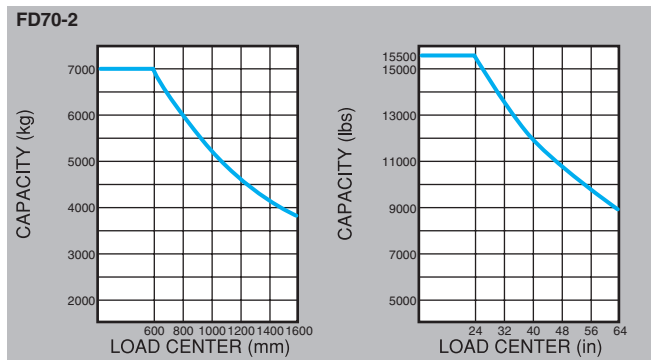
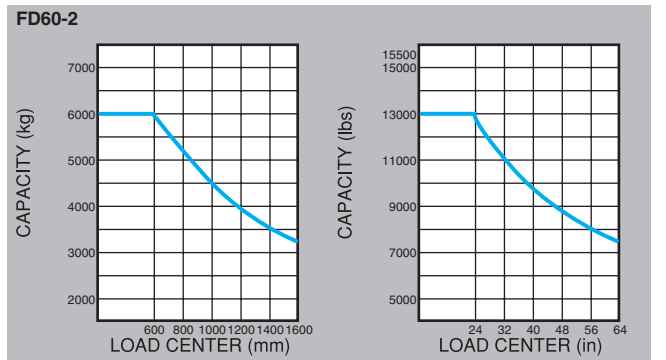
FD60-2	6000kg/600mm 13000lbs/24in	FD70-2	7000kg/600mm 15500lbs/24in	FD80-2	8000kg/600mm 17500lbs/24in	FD100-2	10000kg/600mm 22000lbs/24in
---------------	-------------------------------	---------------	-------------------------------	---------------	-------------------------------	----------------	--------------------------------

STANDARD SPECIFICATIONS

			TCM		TCM				
			FD60-2	FD70-2	FD80-2	FD100-2			
Characteristics	1	Manufacturer							
	2	Model							
	3	Load Capacity	kg(lbs)	6000(13000)	7000(15500)	8000(17500)	10000(22000)		
	4	Load Center	mm(in)	600(24)	600(24)	600(24)	600(24)		
	5	Power Type		Diesel	Diesel	Diesel	Diesel		
	6	Operator Position		Sit Down Rider Type	Sit Down Rider Type	Sit Down Rider Type	Sit Down Rider Type		
	7	Tire Type	Front/Rear	Pneumatic	Pneumatic	Pneumatic	Pneumatic		
	8	Wheels(x=driven)	Front/Rear	4x/2	4x/2	4x/2	4x/2		
Dimensions	9	Maximum Fork Height	mm(in)	3000(118)	3000(118)	3000(118)	3000(118)		
	10	Free Lift	mm(in)	205(8.1)	215(8.5)	205(8.1)	205(8.1)		
	13	Fork Size	LxWxT	mm(in)	1220x150x60(48.0x5.9x2.4)	1220x150x70(48.0x5.9x2.8)	1220x180x75(48.0x7.1x3.0)	1220x180x75(48.0x7.1x3.0)	
		Fork Spread(Outside)	Max./Min.	mm(in)	1835(72.2)/300(11.8)	1835(72.2)/300(11.8)	2000(78.7)/340(13.4)	2145(84.4)/405(15.9)	
	14	Tilt Angle	Fwd./Bwd.	deg	6/12	6/12	6/12	6/12	
	15	Length to Fork Face		mm(in)	3565(140.4)	3640(143.3)	3980(156.7)	4245(167.1)	
	16	Overall Width		mm(in)	1995(78.5)	1995(78.5)	2165(85.2)	2245(88.4)	
	17	Mast Height Fork Lowered		mm(in)	2500(98.4)	2500(98.4)	2700(106.3)	2850(112.2)	
	18	Mast Height Fork Raised		mm(in)	4420(174.0)	4420(174.0)	4420(174.0)	4330(170.5)	
	19	Overhead Guard Height		mm(in)	2530(99.6)	2530(99.6)	2640(103.9)	2640(103.9)	
	21	Turning Radius(Outside)		mm(in)	3320(130.7)	3380(133.1)	3630(142.9)	3880(152.8)	
	22	Load Distance (Centerline of Front Axle to Front Face of Forks)		mm(in)	615(24.2)	625(24.6)	720(28.3)	710(28.0)	
		Rear Overhang		mm(in)	700(27.6)	765(30.1)	760(29.9)	735(28.9)	
	23	Basic Right Angle Stacking Aisle Width		mm(in)	5355(210.8)	5425(213.6)	5770(227.2)	6010(236.6)	
Performance	24	Speeds	Travel Max.	Full Load	km/h(mph)	29.0(18.0)	29.0(18.0)	28.5(17.7)	28.5(17.7)
			No Load	km/h(mph)	31.0(19.3)	31.0(19.3)	32.0(19.9)	32.0(19.9)	
			Lifting	Full Load	mm/s(fpm)	500(98.4)	500(98.4)	450(88.6)	380(74.8)
			No Load	mm/s(fpm)	520(102.4)	520(102.4)	470(92.5)	400(78.7)	
			Lowering	Full Load	mm/s(fpm)	450(88.6)	450(88.6)	450(88.6)	450(88.6)
			No Load	mm/s(fpm)	500(98.4)	500(98.4)	450(88.6)	350(68.9)	
28	Max. Drawbar Pull	Full/No Load	kN(lbs)	54.9(12300)/21.6(4900)	54.9(12300)/21.6(4900)	59.8(13500)/27.5(6200)	63.7(14300)/31.4(7100)		
29	Max. Gradeability*	Full Load(at 1.0mph)	%	31	31	28	22		
		No Load	%	20	16	20	20		
Weight	32	Total Weight		kg(lbs)	8800(19400)	9580(21120)	11230(24760)	12530(27630)	
	33	Weight Distribution	Full Load	Front	kg(lbs)	13150(29000)	14670(32350)	17120(37750)	20400(44980)
				Rear	kg(lbs)	1650(3640)	1910(4210)	2110(4650)	2130(4700)
	34		No Load	Front	kg(lbs)	3910(8620)	3860(8510)	4900(10800)	5730(12630)
	Rear			kg(lbs)	4890(10780)	5720(12610)	6330(13960)	6800(14990)	
Chassis & Wheels	35	Tires	Number	Front/Rear		4/2	4/2	4/2	4/2
			Size	Front		8.25x15-14PR	8.25x15-14PR	9.00x20-12PR	9.00x20-14PR
	37		Rear		8.25x15-14PR	8.25x15-14PR	9.00x20-12PR	9.00x20-14PR	
	38	Wheelbase		mm(in)	2250(88.6)	2250(88.6)	2500(98.4)	2800(110.2)	
	39	Tread	Front	mm(in)	1470(57.9)	1470(57.9)	1600(63.0)	1600(63.0)	
			Rear	mm(in)	1700(66.9)	1700(66.9)	1700(66.9)	1700(66.9)	
		Backrest Height		mm(in)	1370(53.9)	1365(53.7)	1360(53.5)	-	
		Overhead Guard Clearance		mm(in)	1150(45.3)	1150(45.3)	1150(45.3)	1150(45.3)	
		Counterweight Height		mm(in)	1500(59.1)	1500(59.1)	1610(63.4)	1610(63.4)	
		Drawbar Pin Center Height		mm(in)	485(19.1)	485(19.1)	570(22.4)	570(22.4)	
		Floor Height		mm(in)	935(36.8)	935(36.8)	1045(41.1)	1045(41.1)	
	40	Underclearance	Min. Full Load	mm(in)	195(7.7)	195(7.7)	245(9.6)	245(9.6)	
			Center of Wheelbase	mm(in)	245(9.6)	245(9.6)	325(12.8)	325(12.8)	
	42	Brake	Service(Foot)		Hydraulic-Foot pedal	Hydraulic-Foot pedal	Hydraulic-Foot pedal	Hydraulic-Foot pedal	
43		Parking		Mechanical-Hand lever	Mechanical-Hand lever	Mechanical-Hand lever	Mechanical-Hand lever		
Engine and Transmission	45	Battery	Voltage/Capacity(5HR)	V/AH	2-12/70	2-12/70	2-12/70	2-12/70	
	49	Internal Combustion Engine	Make-Model		ISUZU 4HKI-TC	ISUZU 4HKI-TC	ISUZU 4HKI-TC	ISUZU 4HKI-TC	
			Rated Output/r.p.m.	Hp/rpm		117/2000 SAE GROSS	117/2000 SAE GROSS	117/2000 SAE GROSS	
				kW/rpm		87.0/2000 SAE GROSS	87.0/2000 SAE GROSS	87.0/2000 SAE GROSS	
				PS/rpm		120/2000 SAE GROSS	120/2000 SAE GROSS	120/2000 SAE GROSS	
		Max. Torque/r.p.m.	N-m/rpm		486.7/1500	486.7/1500	486.7/1500	486.7/1500	
			kgf-m/rpm		50.0/1500	50.0/1500	50.0/1500	50.0/1500	
			lb-ft/rpm		359/1500	359/1500	359/1500	359/1500	
	52	Transmission	Number of Cylinder		4	4	4	4	
			Displacement	lit(cu-in)	5.193(316.9)	5.193(316.9)	5.193(316.9)	5.193(316.9)	
	Alternater output		Amp	50	50	50	50		
	Fuel Tank Capacity		lit(US gal)	140(37.0)	140(37.0)	140(37.0)	140(37.0)		
55		Type		Automatic Power shift	Automatic Power shift	Automatic Power shift	Automatic Power shift		
	Stage Fwd.-Rvs.			2-2	2-2	2-2	2-2		
57	Operating Pressure	For Attachment	kg/cm ² (psi)	200(2844)	200(2844)	200(2844)	200(2844)		

NOTE : * Computed values

LOAD CHART



NOTE :
 Capacity shown is computed with upright in vertical position. Load center are determined front face of forks. Capacities are based on a 1000mm or 48in cube load configuration with the center of gravity (C.G.) at the true center of the cube, and standard forks.
 Truck capacities with upright in forward tilt position will be less. Long forks, and unusually wide or tall loads may also reduce capacity.
 Contact TCM representative for capacity information on irregular loads.
 Specific capacities are shown on truck nameplates.
 TCM Industrial Trucks are equipped with certain safety devices as standard equipment.
 TCM will not assume any liability for injuries or damage arising from or caused by the removal of any safety devices from any of its products.

STANDARD SPECIFICATIONS

Wide View Mast VM

Mast Model	Rated Capacity / 600mm(24in) load center								Max. Fork Height		Overall Mast Height								Tilting Angle F/B	Service weight									
	FD60-2		FD70-2		FD80-2		FD100-2				Lowerd				Raised with Backrest					FD60-2		FD70-2		FD80-2		FD100-2			
	kg	lbs	kg	lbs	kg	lbs	kg	lbs			mm	in	mm	in	mm	in	mm	in		mm	in	mm	in	mm	in	mm	in		
	mm	in	mm	in	mm	in	mm	in			mm	in	mm	in	mm	in	mm	in		mm	in	mm	in	mm	in	mm	in		
VM300	6000	13000	7000	15500	8000	17500	10000	22000	3000	118.0	2500	98.4	2700	106.3	2850	112.2	4420	174.0	4330	170.5	6/12	8800	19400	9580	21120	11230	24760	12530	27630
VM330	6000	13000	7000	15500	8000	17500	—	—	3300	130.0	2650	104.3	2850	112.2	—	—	4720	185.8	—	—	6/12	8850	19510	9630	21230	11290	24890	—	—
VM350	6000	13000	7000	15500	8000	17500	10000	22000	3500	137.8	2750	108.3	2950	116.2	3100	122.0	4920	193.7	4830	190.2	6/12	8880	19580	9660	21300	11330	24980	12640	27870
VM400	6000	13000	7000	15500	8000	17500	10000	22000	4000	157.5	3050	120.1	3250	128.0	3400	133.9	5420	213.4	5330	209.8	6/12	9070	20000	9850	21720	11560	25490	12890	28420
VM450	6000	13000	7000	15500	8000	17500	10000	22000	4500	177.2	3300	130.0	3500	137.8	3650	143.7	5920	233.1	5830	229.5	6/12	9160	20190	9940	21910	11650	25690	13000	28670
VM500	6000	13000	7000	15500	7750	17000	10000	22000	5000	196.9	3550	139.8	3750	147.6	3900	153.5	6420	252.8	6330	249.2	6/6	9270	20440	10050	22160	11750	25910	13100	28890
VM550	5700	12500	6600	14500	7400	16300	9000	19800	5500	216.5	3850	151.6	4050	159.5	4200	165.4	6920	272.4	6830	268.9	3/6	9470	20880	10250	22600	11990	26440	13350	29440
VM600	5400	11900	6400	14100	7000	15400	8000	17500	6000	236.2	4100	161.4	4300	169.3	4450	175.2	7420	292.1	7330	288.6	3/6	9550	21050	10330	22770	12100	26680	13460	29680

Wide View Full Free 2-Stage Mast VFM

Mast Model	Rated Capacity / 600mm(24in) load center						Max. Fork Height		Overall Mast Height						Tilting Angle F/B	Service weight											
	FD60-2		FD70-2		FD80-2				Lowerd			(1)Raised with Backrest				(2)Free lift with Backrest											
	kg	lbs	kg	lbs	kg	lbs			mm	in	mm	in	mm	in		mm	in	mm	in	mm	in	mm	in	mm	in		
	mm	in	mm	in	mm	in			mm	in	mm	in	mm	in		mm	in	mm	in	mm	in	mm	in	mm	in		
VFM300	6000	13000	7000	15500	8000	17500	3000	118.0	2625	103.3	2700	106.3	4420	174.0	1255	49.4	1265	49.8	1345	53.0	6/12	8925	19680	9685	21360	11240	24780
VFM330	6000	13000	7000	15500	8000	17500	3300	130.0	2775	109.3	2850	112.2	4720	185.8	1405	55.3	1415	55.7	1495	58.9	6/12	8975	19790	9735	21470	11285	24880
VFM350	6000	13000	7000	15500	8000	17500	3500	137.8	2875	113.2	2950	116.1	4920	193.7	1505	59.3	1515	59.6	1595	62.8	6/12	9005	19860	9765	21530	11320	24960
VFM400	6000	13000	7000	15500	8000	17500	4000	157.5	3175	125.0	3250	128.0	5420	213.4	1805	71.1	1815	71.5	1895	74.6	6/12	9205	20300	9965	21970	11450	25250
VFM450	6000	13000	7000	15500	8000	17500	4500	177.2	3425	134.8	3500	137.8	5920	233.1	2055	80.9	2065	81.3	2145	84.4	6/12	9285	20470	10045	22150	11640	25660

NOTE : (1)For height without backrest: [FD60-70-2] -325mm(-12.8in) [FD80-2] -205mm(-8.1in)
 (2)For free lift without backrest: [FD60-70-2] +325mm(+12.8in) [FD80-2] +205mm(+8.1in)
 Weight for without backrest: [FD60-70-2] -55kg(-120lbs) [FD70-80-2] -60kg(-130lbs)

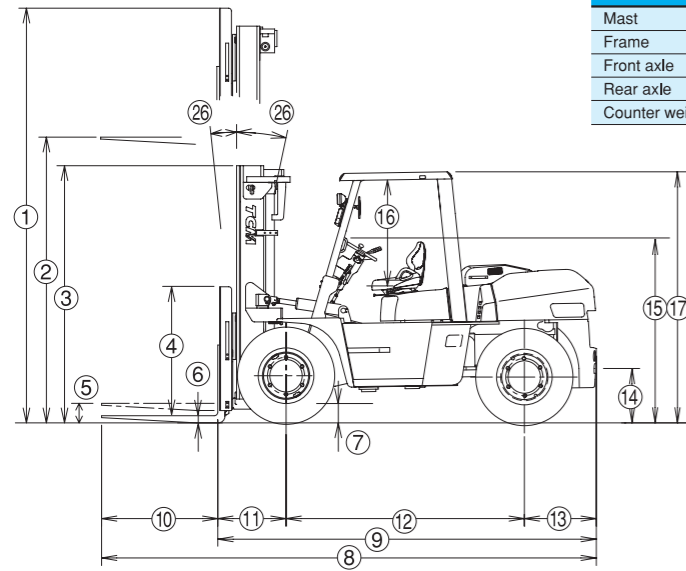
Wide View Full Free 3-Stage Mast VFHM

Mast Model	Rated Capacity / 600mm(24in) load center						Max. Fork Height		Overall Mast Height						Tilting Angle F/B	Service weight											
	FD60-2		FD70-2		FD80-2				Lowerd			(1)Raised with Backrest				(2)Free lift with Backrest											
	kg	lbs	kg	lbs	kg	lbs			mm	in	mm	in	mm	in		mm	in	mm	in	mm	in	mm	in	mm	in		
	mm	in	mm	in	mm	in			mm	in	mm	in	mm	in		mm	in	mm	in	mm	in	mm	in	mm	in		
VFHM400	5500	12150	6200	13650	7000	15450	4000	157.5	2500	98.4	2575	101.4	5400	212.6	1130	44.5	1140	44.9	1220	48.0	6/10	9425	20780	10185	22460	11870	26170
VFHM435	5500	12150	6200	13650	7000	15450	4350	171.3	2625	103.3	2700	106.3	5750	226.4	1255	49.4	1265	49.8	1345	53.0	6/10	9505	20960	10265	22640	11930	26300
VFHM480	5500	12150	6200	13650	7000	15450	4800	189.0	2775	109.3	2850	112.2	6200	244.1	1405	55.3	1415	55.7	1495	58.9	6/10	9585	21140	10345	22810	12010	26480
VFHM500	5500	12150	6200	13650	7000	15450	5000	196.9	2875	113.2	2950	116.1	6400	252.0	1505	59.3	1515	59.6	1590	62.8	6/10	9640	21260	10400	22930	12075	26620
VFHM600	5000	11050	5500	12150	6000	13250	6000	236.2	3300	129.9	3375	132.9	7400	291.3	1930	76.0	1940	76.4	2020	79.5	3/6	10000	22050	10760	23730	12440	27430
VFHM700	3500	7700	3700	8150	4500	9900	7000	275.6	3675	144.7	3750	147.6	8400	330.7	2305	90.7	2315	91.1	2395	94.3	3/6	10185	22460	10945	24130	12645	27880
VFHM800	2200	4850	2300	5050	2500	5500	8000	315.0	4100	161.4	4175	164.4	9400	370.1	2730	107.5	2740	107.9	2820	111.0	3/6	10510	23180	11270	24850	13395	29530

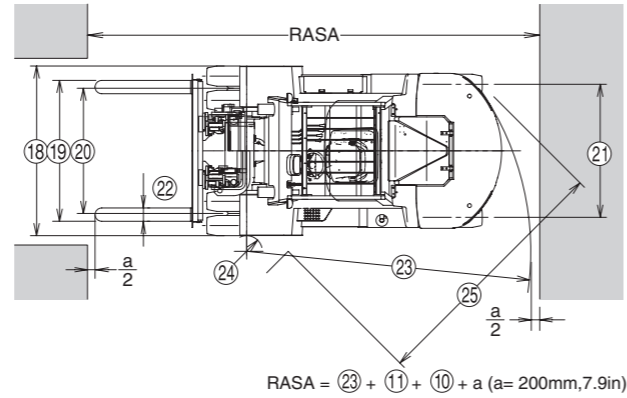
NOTE : (1)For height without backrest: [FD60-70-2] -325mm(-12.8in) [FD80-2] -205mm(-8.1in)
 (2)For free lift without backrest: [FD60-70-2] +325mm(+12.8in) [FD80-2] +205mm(+8.1in)
 Weight for without backrest: [FD60-2] -55kg(-120lbs) [FD70-80-2] -60kg(-130lbs)

NOTE : Lifting speed with VFM/VFHM mast: [FD60-70-2] 350mm/s(68.9fpm) with load. 360mm/s(70.9fpm) without load.
 [FD80-2] 400mm/s(78.7fpm) with load. 420mm/s(82.7fpm) without load.
 Lowering speed with VFM/VFHM mast: [FD60-70-2] 320mm/s(63.0fpm) with load. 250mm/s(49.2fpm) without load.
 [FD80-2] 350mm/s(68.9fpm) with load. 290mm/s(57.1fpm) without load.
 Overall vehicle length with VFHM mast: +1.6in(+40mm) longer than of standard model with VM/VFM mast.

STANDARD DIMENSIONS



GROUND CLEARANCE	FD60-2		FD70-2		FD80-2		FD100-2	
	mm	in	mm	in	mm	in	mm	in
Mast	200	7.9	200	7.9	245	9.6	245	9.6
Frame	245	9.6	245	9.6	325	12.8	325	12.8
Front axle	195	7.7	195	7.7	250	9.8	250	9.8
Rear axle	245	9.6	240	9.4	330	13.0	315	12.4
Counter weight	275	10.8	275	10.8	365	14.4	365	14.4



STANDARD DIMENSIONS

Model	FD60-2		FD70-2		FD80-2		FD100-2	
	mm	in	mm	in	mm	in	mm	in
① Overall height, fork raised(with backrest)	4420	174.0	4420	174.0	4420	174.0	4330	170.5
② Maximum fork height	3000	118	3000	118	3000	118	3000	118
③ Mast height, fork lowered	2500	98.4	2500	98.4	2700	106.3	2850	112.2
④ Backrest height	1370	53.9	1365	53.7	1360	53.5	—	—
⑤ Free lift	205	8.1	215	8.5	205	8.1	205	8.1
⑥ Fork thickness	60	2.4	70	2.8	75	3.0	75	3.0
⑦ Minimum ground clearance	195	7.7	195	7.7	250	9.8	250	9.8
⑧ Overall length(with forks)	4785	188.4	4860	191.3	5200	204.7	5465	215.2
⑨ Length to fork face	3565	140.4	3640	143.3	3980	156.7	4245	167.1
⑩ Fork length	1220	48.0	1220	48.0	1220	48.0	1220	48.0
⑪ Load distance	615	24.2	625	24.6	720	28.3	710	28.0
⑫ Wheelbase	2250	88.6	2250	88.6	2500	98.4	2800	110.2
⑬ Rear overhang	700	27.6	765	30.1	760	29.9	735	28.9
⑭ Drawbar pin center height	485	19.1	485	19.1	570	22.4	570	22.4
⑮ Machine height(without overhead guard and mast)*	1790	70.5	1790	70.5	1895	74.6	1895	74.6
⑯ Overhead guard clearance(from face of seat)	1150	45.3	1150	45.3	1150	45.3	1150	45.3
⑰ Overall height(overhead guard)	2530	99.6	2530	99.6	2640	103.9	2640	103.9
⑱ Overall width	1995	78.5	1995	78.5	2165	85.2	2245	88.4
⑲ Fork spread(outside)	300~1835	11.8~72.2	300~1835	11.8~72.2	340~2000	13.4~78.7	405~2145	15.9~84.4
⑳ Tread(front)	1470	57.9	1470	57.9	1600	63.0	1600	63.0
㉑ Tread(rear)	1700	66.9	1700	66.9	1700	66.9	1700	66.9
㉒ Fork width	150	5.9	150	5.9	180	7.1	180	7.1
㉓ Outside turning radius	3320	130.7	3380	133.1	3630	142.9	3880	152.8
㉔ Inside turning radius	200	7.9	200	7.9	200	7.9	200	7.9
㉕ Minimum intersecting aisle	3045	119.9	3080	121.3	3295	129.7	3445	135.6
㉖ Tilt angle(forward-backward)	6°-12°	6°-12°	6°-12°	6°-12°	6°-12°	6°-12°	6°-12°	6°-12°

Note:*Scandinavian export trucks(EXN):+105mm(+4.1in)

STANDARD EQUIPMENT AND ACCESSORIES

[Equipment]

- Adjustable ORS seat with belt
- Asbestos-free brake shoe material
- Automatic shifting T/M
- Converter oil cooler
- Donaldson cyclopac aircleaner
- Drawbar device
- Durable overhead guard
- Flow control valve
- Fork length 1220mm(48in)
- Fuel filter & water sedimenter(WTS)
- Full hydrostatic power steering(OBT)
- Gas cylinder type bonnet latch
- High capacity alternator 50A
- High -visibility wide-view mast(VM300)
- Lift circuit cut-off valve
- Load backrest¹⁾
- Long-life pneumatic tires²⁾
- Neutral start safety system
- Power brake system
- Radiator coolant reservoir
- Transmission oil dipstick
- Transmission oil return filter
- Traveling interlock system
- 2-spool control valve with pressure relief

[Controls]

- Auto glow system
- Electric T/M shift control lever
- Key switch-engine start/stop
- Lift and tilt levers
- Multi-function switch lever with self-cancelling mechanism(Lighting & turn-signal)
- Parking brake lever with inter-lock
- Tilt adjustable steering post

[Instruments and Switch]

- Battery charging indicator
- Electric horn
- Engine glow indicator
- Engine hourmeter
- Engine oil pressure warning indicator
- Fuel gauge
- Neutral safety indicator
- Water sedimenter indicator
- Water temperature gauge

[Accessories]

- Access-assisted handgrip
- Back-up buzzer
- Back-up light
- Deluxe floor mat
- Front combination lights (turn signal, clearance)
- Head lights - traffic purpose
- Pen holder
- Rear combination lights
- Side view mirrors

NOTE : ¹⁾ Excluded FD100

²⁾ STD tread profile:

J-LUG - FD60 FD70 FD80
U-LUG - FD100

NOTES : ●Meets the following major industrial standard and code:
ISO 1074 Counter balanced lift trucks, stability & safety tests
ISO 3691 Powered industrial trucks - safety code
ISO/DIS 3691 Travel & loading interlock
ISO 6292 Powered industrial trucks brake performance and component strength
ISO 6055 Overhead guard
JIS D6001 Powered industrial trucks - safety code
JIS D6011 Industrial trucks, stability & safety tests
JIS D6021 Overhead guard
JIS D6023 Industrial trucks brake performance & safety tests

●ANSI/ASME B56.1 Safety standard for low and high lift trucks (for EXA configuration)
●In conformity with provision of the Machinery directive 98/37/EC, as amended, and with national implementing legislation. (for EXE/EXN configuration)
●Insurance classifications
Underwriter's Laboratories requirement as to fire hazard only for D in North America. (for EXA configuration)

OPTIONAL LOADING ATTACHMENT

- Alternative fork length(LF)
- Bale clamp(LG)
- Fork extension sleeve(EF)
- Fork positioner hydraulic cyl type(FS)
- Fork positioner manual type(FSM)
- Hinged forks(HF)
- Hinged scoop(HFS)
- Lifting-eye(HC)
- Ram(RA)
- Rotating forks hook-on type(RF)
- Side shifter(SS)
- Wide type backrest(WBR)
- Wide type fork carriage(WF)
- Wide view full free 2-stage mast(VFM)
- Wide view full free 3-stage mast(VFHM)

OPTIONAL EQUIPMENT AND ACCESSORIES

[Equipment]

- Airconditioner(SCB AC)
- Auxiliary hydraulic valve module(3SV - 4SV - 5SV)
- Dual airelement(ADE)
- Fingertip hydraulic levers(FIT)
- Front windshield with wiper(AW071)
- Heater(HR)
- Heater & defroster(SCB DEF)
- J-lug profile pneumatic tires(FD100) (TJW)
- Overhead exhaust(TUE)
- Plate(straight) fin radiator(RADPF)
- Pneumatic shapped cushion tires(SE)
- Radiator dust screen(DSR)
- Pre-aircleaner(CAKB)
- Radiator dust screen(DSR)
- Right hand direction lever(LCR)
- Steel cabin(SCB)
- Steel net roof on overhead guard(HGD)
- Synchronized steering mechanism(SRS)
- Tilt cylinder boots(TLB)

[Instruments and Switch]

- High-volume backup buzzer(BBH)
- O.K.monitor(OKM)
- For
 - Aircleaner clogging
 - Electrolyte level
 - Engine coolant level
 - Parking brake warning
 - Seat belt warning

- Speedmeter(SM)
- Torqueconverter oil pressure gauge(TPM)
- Torqueconverter oil temp. gauge(TTM)

[Accessories]

- Custom paint works(P)
- Fire extinguisher(FE)
- Rear working light(RWL)
- Rotating warning light(RLY/RLR)



- TCM retains the right to change these products and specifications without incurring any obligation relating to such changes.
- These products and specifications are subject to change without notice.
- Photos and illustrations may or may not include optional equipment and accessories.
- Features and specifications may vary depending on markets.



ISO 9001 Certification
(TCM Shiga Plant)



ISO 14001 Certification
(TCM Shiga Plant)

Manufactured by

TCM
TCM CORPORATION

1-15-5 Nishi-Shimbashi, Minato-ku,
Tokyo 105-0003 Japan
TEL:+81-3-3591-8176
FAX:+81-3-3591-8152
<http://www.tcmglobal.net>

Distributed by